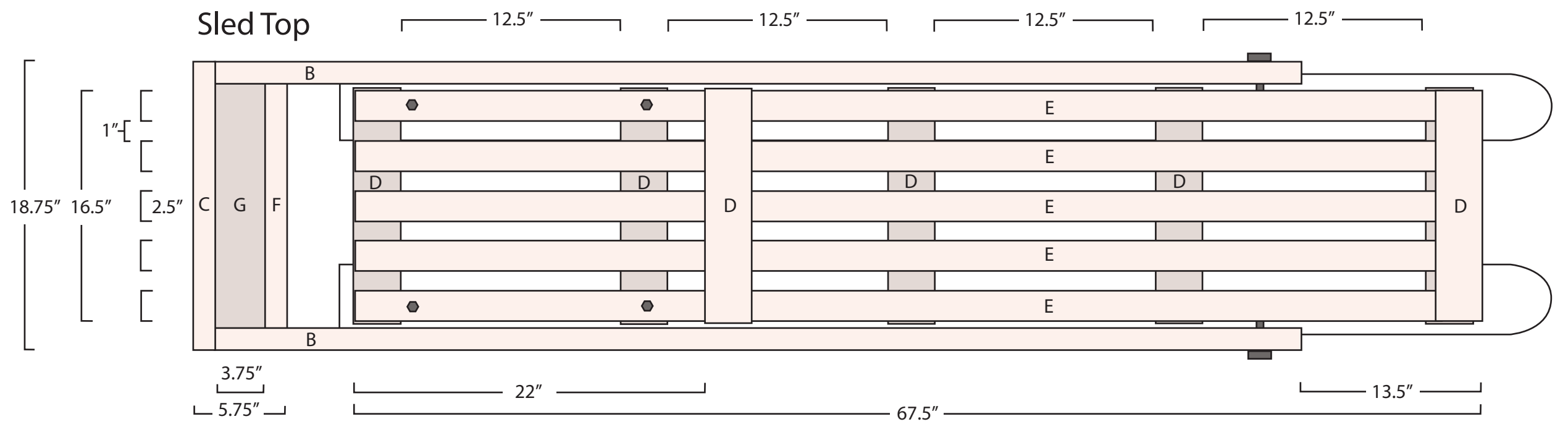
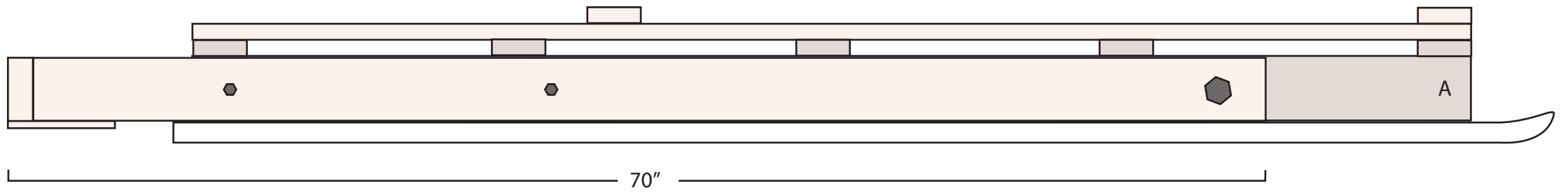


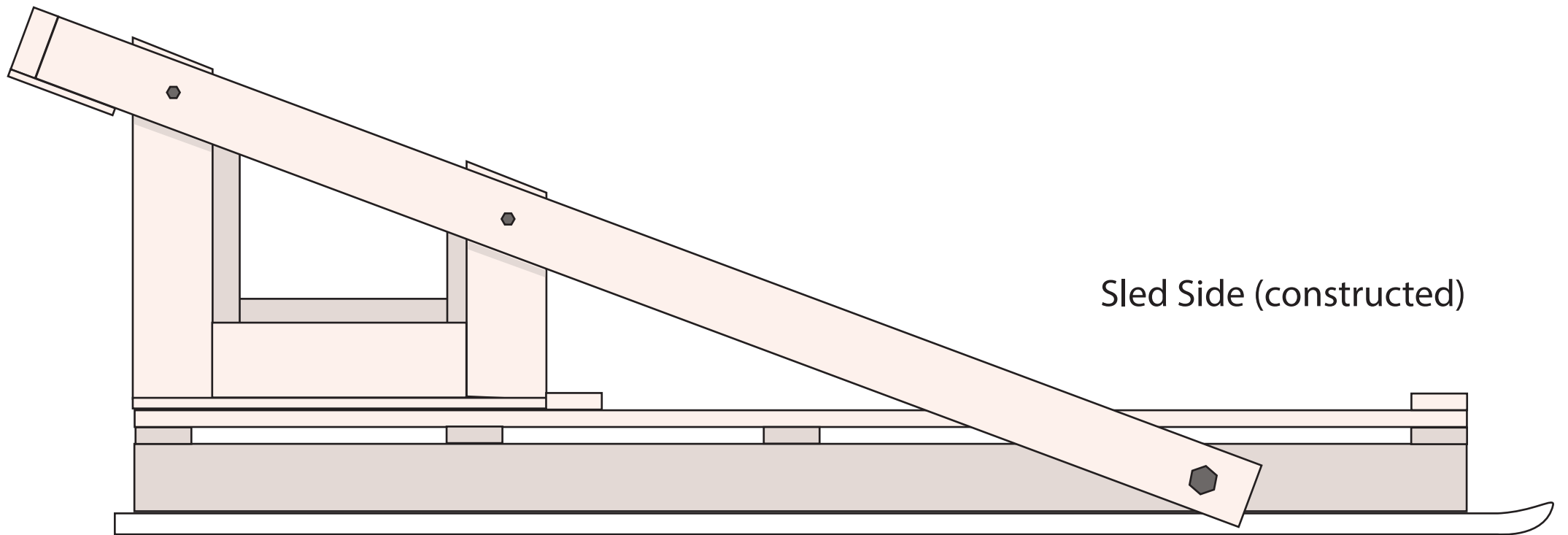
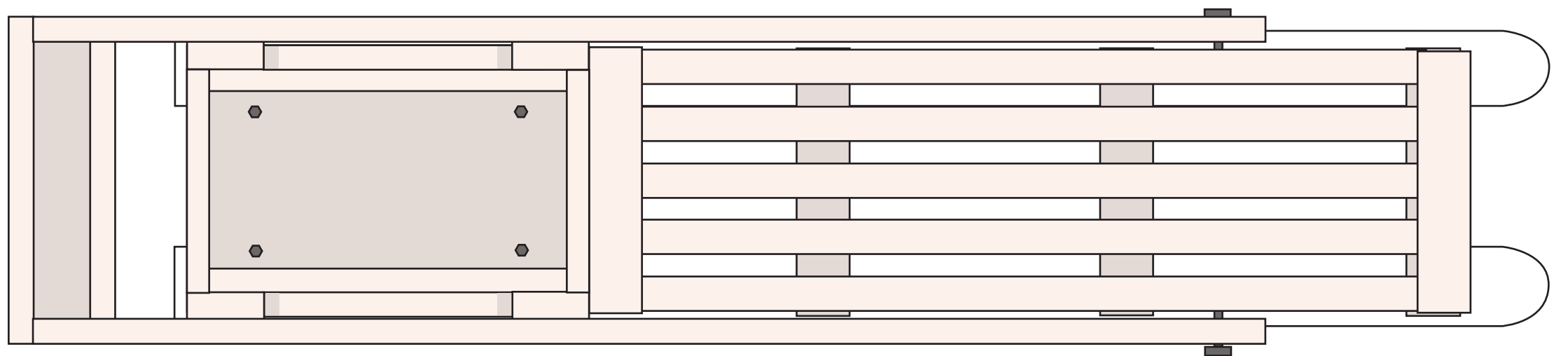
Sled Top



Sled Side

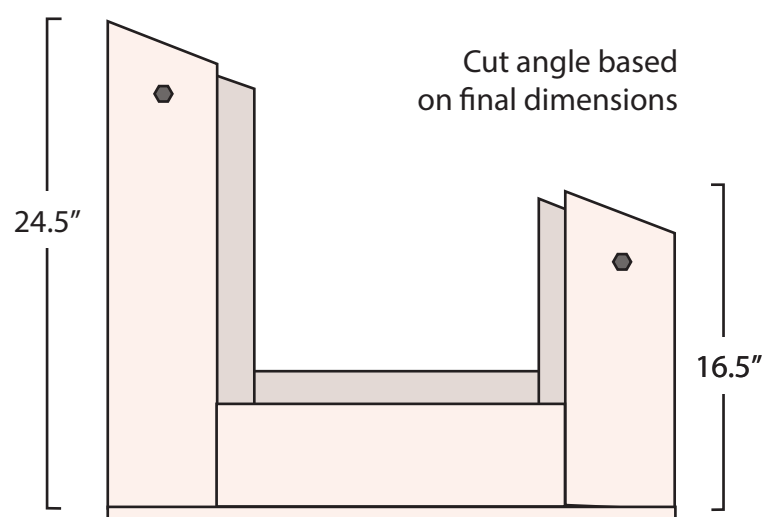
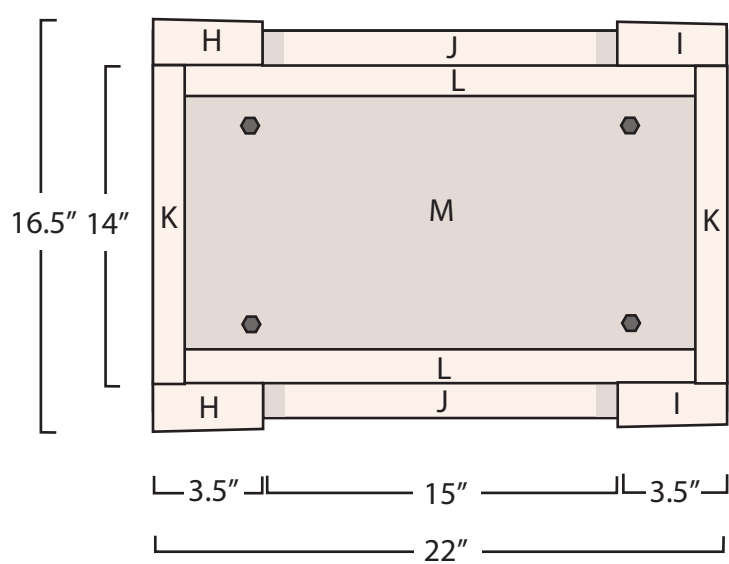


Sled Top (constructed)



Sled Side (constructed)

Basket Top



Basket Side

Supplies List:

A	2	4	x	2	x	67.5
B	2	3.5	x	1.5	x	69
C	1	3.5	x	1.5	x	18.75
D	7	3.5	x	1	x	16.5
E	5	2.5	x	1	x	67.5
F	1	3.5	x	1.5	x	16.75
G	1	5.75	x	.25	x	16.75
H	2	3.5	x	1	x	24.5
I	2	3.5	x	1	x	16.5
J	2	3.5	x	1	x	15
K	2	3.5	x	1	x	14
L	2	3x5	x	1	x	20.5
M	1	22	x	.25	x	16.5

50+ 3/4 inch screws
20+ 2 inch screws

2 5 x 1/4 inch bolts
4 1/4 inch washers
4 1/4 inch nuts (doubled up on each side).

8 1/4-20 x 5/16 in. x 3/4 in. Stainless-Steel Pronged Tee Nut
8 1/4 inch washers
8 1/4 x 1 1/2 inch machine screws